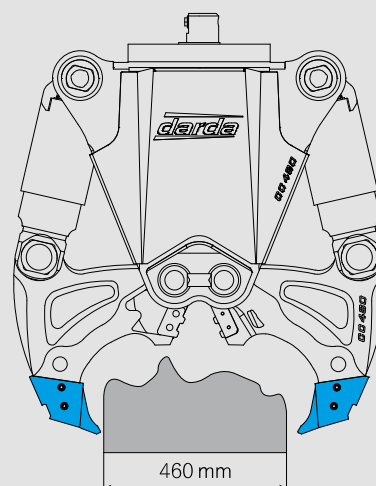
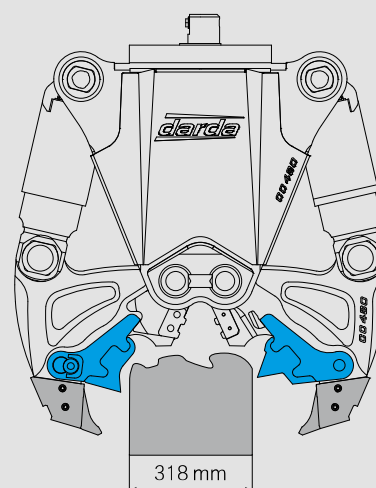


Concrete Crusher CC480

Compact and powerful



Crusher with standard crushing tips



Crusher with additional crushing teeth

Specifications | Concrete Crusher CC480

Dimensions and weight		
Length x Width x Height ¹	903 x 857 x 330 mm	35 1/2 x 33 x 13 in
Jaw opening	460 mm	18 in
Total weight ¹	275 kg	606 lb
Carriers		
Recommended carrier weight, max. ²	4 - 6 t	8820 - 13230 lb
Recommended Brokk machine	Brokk 200	
Hydraulic connection		
Connection pressure, min.	17.5 MPa (175 bar)	2538 psi
Connection pressure, max.	25 MPa (250 bar)	3626 psi
Operating pressure	50 MPa (500 bar)	7252 psi
Oil flow, max.	100 l/min	27 gal/min
Power output		
Crushing force A, max.	490 kN (50 t)	97000 lbf
Crushing force B, max. (optional)	667 kN (68 t)	128000 lbf
Cutting force, max.	1834 kN (187 t)	412000 lbf
Cutting capacity, max.	1x Ø 30 mm	1 1/4 in
Ordering information		
Article no. ³	9033 0480 80	

¹ Without support plate

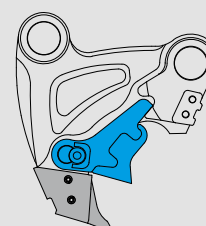
² Depending on the load capacity table of the carrier manufacturer

³ Without attachment

Available options



360° Hydraulic rotary drive



Extra crusher tooth